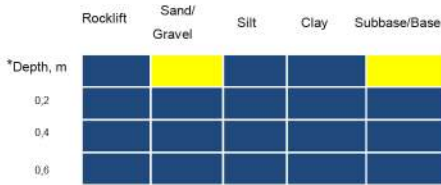


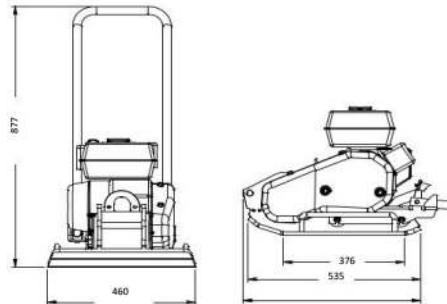


Features

- Lifelong lubricated bearing for extended service life
- Exciter bearing design requires minimal maintenance for improved productivity
- Strong V-belt cover
- 18 kN eccentric element
- Convenient single lifting point
- Standard engine : Honda 4 - stroke



* Recommended thickness of layer



Model	FPC80
Plate size LxW (mm)	535 x 460
Operating weight (kg)	80
Centrifugal force (kN)	18
Operating speed (m/min)	24
Compacted area (m2/h)	600
Max gradeability (i)	30
Frequency (Hz)	90
Engine	Product Code
Honda GX-160 3.6kW (4.8HP)	201.80.00000
Robin EY-20 (3.6KW)	201.80.10000
Kawata KWM (5.5HP)	201.80.20000
Kawata KWG (5.5HP)	201.80.30000