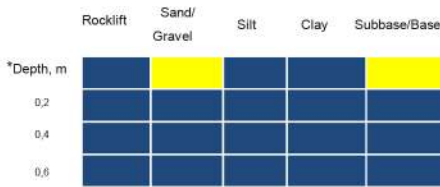


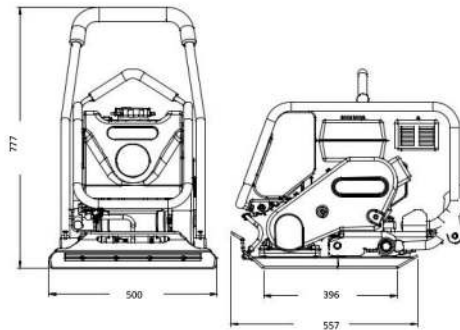


## Features

- ❑ High strength aluminum components including the engine console and belt guard have been combined for reduced weight and easy machine handling
- ❑ Straight center-mounted guide handle offers maneuverability and can be lowered within inches of the surface to operate plate under obstacles and form work
- ❑ Angled holes on spray bar allow complete water coverage for no asphalt pick-up on plate bottom
- ❑ Special Delta shaped bottom plate for compaction and moving of thin asphalt layers



\* Recommended thickness of layer



Model	FPC 75
Plate size LxW (mm)	557 x 500
Operating weight (kg)	75
Centrifugal force (kN)	12
Operating speed (m/min)	29
Compacted area (m <sup>2</sup> /h)	300-400
Max gradeability	20
Frequency (Hz)	95
Engine	Product Code
Honda GX-160 3.6kW (4.8HP)	201.75.00000
Robin EY-20 (3.6KW)	201.75.10000
Kawata KWM (5.5HP)	201.75.20000
Kawata KWG (5.5HP)	201.75.30000