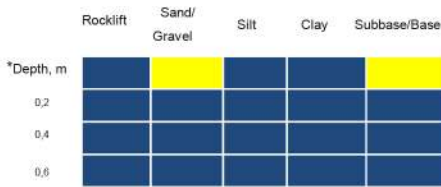


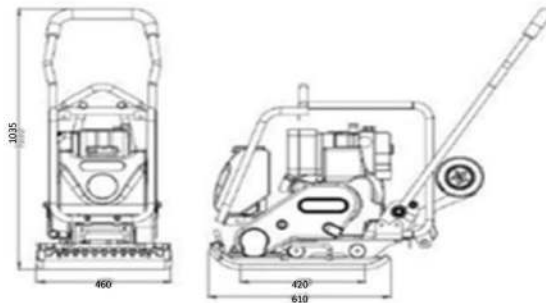
Features



- Heavy duty and rugged compact design, ideal for repair of soil surfaces
- Eccentric mass measured to the weight of machine providing speed and performance
- System to reduce hand-arm vibration
- Excellent gradeability



* Recommended thickness of layer



Model	FPC115
Plate size LxWxH(mm)	450 x 610
Operating weight (kg)	115
Centrifugal force (kN)	14
Operating speed (m/min)	21
Compacted area (m2/h)	400-500
Max gradeability	20
Frequency (Hz)	92
Engine	Product Code
Honda GX-160 3.6kW (4.8HP)	201.11.00000
Robin EY-20 (3.6KW)	201.11.10000
Kawata KWM (5.5HP)	201.11.20000
Kawata KWG (5.5HP)	201.11.30000
Yanmar L70N Diesel (9HP)	201.11.600LD